

GAS COMPRESSORS

field flexibility, maximum efficiency



Model SSUG99C

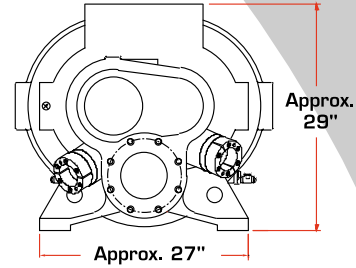
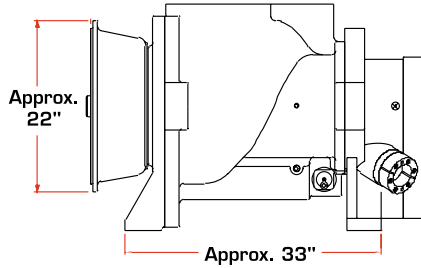
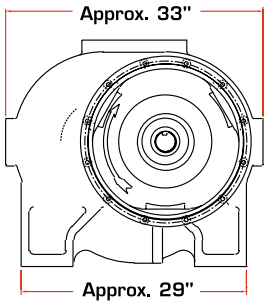
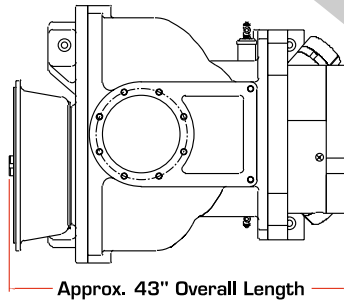
Gardner Denver rotary screw gas compressors incorporate design features that meet the demands for efficient, flexible, durable operation placed on them by the Natural Gas Industry.

DESIGN FEATURES

- O-ring flange seals.
- Large rotors and bearings for low speed operation.
- Cylindrical roller inlet bearings.
- Tapered roller discharge bearings.
- Automatic Turn Valve capacity control.
- Stop-limits for fully opened and fully closed turn valve positions.
- Turn Valve indicator standard on all gas ends.
- 3 Axis vibration pick-up points.
- Available frame-mounted oil pump.
- Available horizontal inlet valve.
- Field-changeable V_i , with four settings from 2.8 to 4.6.

ENGINEERING DATA

Brake Horsepower	460 Max.
Inlet Pressure	50 PSIG Max.
Discharge Pressure	250 PSIG Max.
RPM Range	1161-3226
Rotor Dimensions	
Male Rotor O.D.	11.7"
Female Rotor O.D.	9.5"
Length	17.4"
L/D Ratio	1.49
Input Shaft	
O.D.	2.6240"-2.6245"
Keyway	0.625 in
Stiffness	9.96×10^6 in*lb/rad
Moment of Inertia ("ωr ² ")	36.23 lb*ft ²
Mounting Flanges Available	
	SAE (1)
	"D" Flange
	Plain (Foot) Mounting
Discharge Flanges Available	
	6" 150#
	6" 300#
Inlet Valve Flange	8" 150#
Weight Approx.	2325#
Materials	
Rotors	Nodular Iron
Bearings	Steel
Frame	Cast Iron
Shaft Seals	Mechanical
Oil Pump (0 PSI, 1800 rpm, 200 SSU)	
Capacity	84 GPM
Horse Power	3.5 HP



DURABILITY MEASURED IN DECADES

Since 1859, Gardner Denver has designed and built the industry's highest quality products. To better serve your needs, Gardner Denver continually builds products to maximize efficiency and durability. Our rotary screw compressors for natural gas applications are no exception to this tradition. Gardner Denver rotary gas compressors are constructed using advanced technology, careful engineering, micro-precision manufacturing, and total quality management. These inherent features make Gardner Denver the choice when reliability and total value are the criteria.

Natural Gas Applications

Gardner Denver rotary screw gas ends are well suited for natural gas compressor applications. All Gardner Denver gas compressors are constructed of ferrous metal. No yellow metals are used in the gas end construction. This allows the Gardner Denver Rotary Gas Compressor to be used in virtually any natural gas application.

PREMIUM FEATURES

Gardner Denver offers more features per horsepower, more features for your dollar, more options to match your job, and more efficiency to save on your power costs. The savings of owning and operating a Gardner Denver Rotary Gas Compressor begin to build the minute you turn it on - and keep building throughout its long, productive life.

Exclusive Gardner Denver Features

All Gardner Denver Rotary Screw Compressors contain a unique combination of outstanding features:

- Exclusive KYPHO rotor profile returns greater efficiency over its operating range and delivers a 3% to 5% operating efficiency advantage over standard rotor designs. Its asymmetrical rotor shape inherently provides a tighter seal between the grooves of the rotors to reduce slippage, eliminate vibration, and increase efficiency.
- Rotors, up to 41% larger in diameter than other compressor brands, allow our rotor operating speeds to be among the lowest in the industry. Low speeds extend compressor life, reduce compression heat and contribute to overall lower operating cost.
- Long-life bearings mean longer service. All Gardner Denver compressors are designed with large, cylindrical roller bearings at the inlet and time-proven tapered roller bearings at the discharge. Gardner Denver uses bearings as much as 170% larger than competitive models.
- New "Quick Change V_i" feature (available on SSU & SSY models) allows the user to choose from four V_i ratios at which to operate, using a quick and easy method of changing the arrangement of spacers and plugs at the discharge end. The right V_i for your application means maximum efficiency. The Gardner Denver method means no additional parts to buy or keep in stock.



**Gardner
Denver**